

Single Color LED Controller Kit

Model No.: V1 + R6-1

1 channels constant voltage/Touch color wheel/Stepless dimming/Wireless remote 30m distance

Feature

- Mini-style RF dimmer, one channel constant voltage output.
- Smooth dimming and switch without any flickering.
- Adopt 2.4GHz wireless technology, remote distance up to 30m.
- Auto-transmitting function, one receiver can transmit the signal from the remote to another receiver within 15m, so the remote control distance can be beyond 100m.
- Can connect with external push switch to achieve on/off and dimming function.
- Work with power repeater to expand output unlimitedly.

Technical parameter

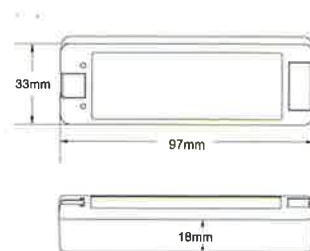
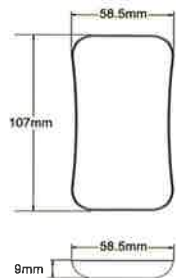
LED Remote

- Output signal: RF[2.4GHz]
- Working voltage : 3VDC[CR2032]
- Standby time: 1 year
- Remote distance: 30m
- Size: L107xW58.5xH9mm

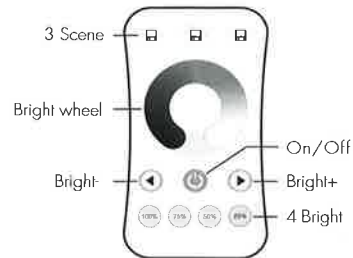
LED Receiver

- Input voltage: 5-36VDC
- Output power: 5V, Max 40W
12V, Max 96W
24V, Max 192W
36V, Max 288W
- Output current: 1CH, 8A/CH
- Size: L97xW33xH18mm

Dimension



Remote function



On/Off: Turn on/off light.

Bright wheel: Touch to change brightness.

Bright+/-: Adjust brightness, short press 10 levels, long press 1-5s for continuous 256 levels adjustment.
100%, 75%, 50%, 25%: Get 4 kinds brightness directly.

3 Scene: Brightness memory,

short press recall the scene, long press 2s save current brightness into the scene.

Match guide

Use Match key

1. Match: Short press match key of the receiver, within 5s, press on/off key of the remote.
2. Delete: Long press match key of the receiver for 5s, delete all matched remote.

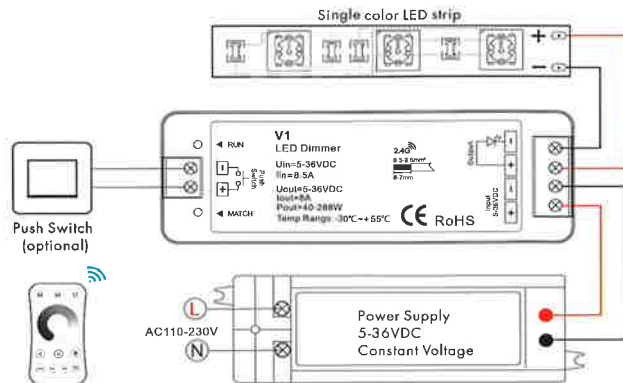
Use Power-up

1. Match: Switch off the power, then switch on power again, short press on/off key 3 times on the remote quickly within 5s after power on, the link is done once the light blinks 3 times.
2. Delete: Switch off the power, then switch on power again, short press on/off key 5 times on the remote quickly within 5s after power on, the unlink is done once the light blinks 5 times.

External push switch(optional)

1. Short press: Turn on/off light.
2. Long press[1-5s]: When light is on, increase or decrease brightness continuously.
3. Long press[10s]: When multiple controllers share a on/off key, achieve simultaneous adjustment.

Wiring diagram



LED power supply voltage and power select:

- 5V lamp, Input 5V power supply, can load 0~40W,
 - 12V lamp, Input 12V power supply, can load 0~96W,
 - 24V lamp, Input 24V power supply, can load 0~192W,
 - 36V lamp, Input 36V power supply, can load 0~288W,
- The power supply power must larger than load power 20%.

Malfunctions analysis & troubleshooting

Malfunctions	Causes	Troubleshooting
No light	1. No power. 2. Wrong connection or insecure.	1. Check the power. 2. Check the connection.
Uneven intensity between front and rear, with voltage drop	1. Output cable is too long. 2. Wire diameter is too small. 3. Overload beyond power supply capability. 4. Overload beyond controller capability.	1. Reduce cable or loop supply. 2. Change wider wire. 3. Replace higher power supply. 4. Add power repeater.
No response from the remote	1. The battery has no power. 2. Beyond controllable distance. 3. The controller did not match the remote.	1. Replace battery. 2. Reduce remote distance. 3. Re-match the remote.

Safety information

1. The product shall be installed and serviced by a qualified person.
2. The product is non-waterproof. Please avoid the sun and rain.
3. Good heat dissipation will prolong the working life of the controller. Please ensure good ventilation.
4. Please check if the output voltage of any power supplies used comply with the working voltage of the product.
5. Ensure all wire connections and polarities are correct and secure before applying power to avoid any damages to the LED lights.
6. If a fault occurs please return the product to your supplier. Do not attempt to fix this product by yourself.